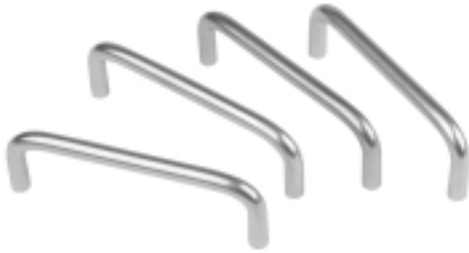
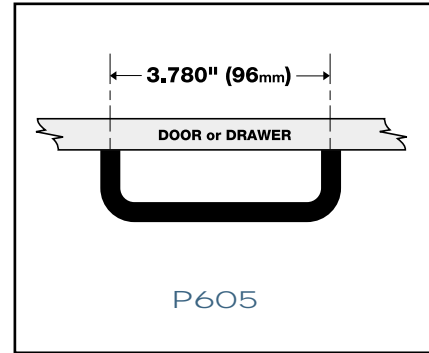
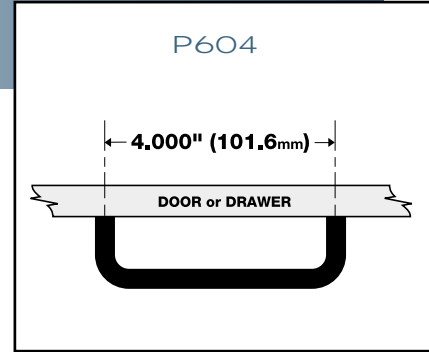




## PULLS



RPC 5/16" diameter wire pulls are available with either 4" or 96mm mounting hole centers. They are powder coated to match your standard or custom color requirements. Uses two, #8-32 machine screws. (Screws not furnished.)



Part No.	Diameter in. [mm]	Comments
P604	5/16" (8mm)	Steel Wire, Tapped for #8-32 Machine Screw
P605	5/16" (8mm)	Steel Wire, Tapped for #8-32 Machine Screw